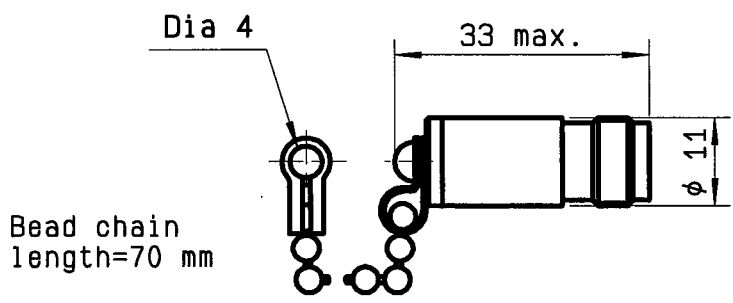


This information is given as an indication. In the continual goal to improve our products, we reserve the right to make any modifications judged necessary.

DRAWING



General tolerances: +/- 0.5 mm

R F CHARACTERISTICS

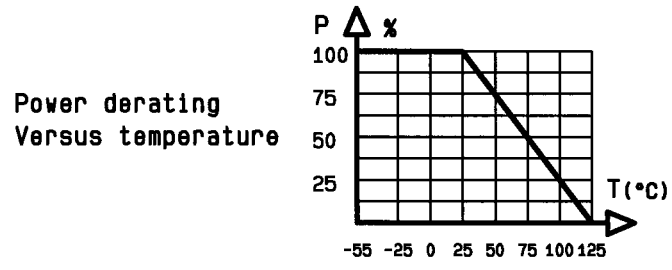
FREQUENCY RANGE	: DC - 4 GHz
IMPEDANCE	: 50 Ohms
DC RESISTANCE	: 50 Ohms ± 5 %
V.S.W.R : DC - 1 GHz	: <= 1.08
1 - 4 GHz	: <= 1.20
PEAK POWER at 25°C (1µs,1%.)	: 100 W
AVERAGE POWER at 25°C	: 1 W

MECHANICAL CHARACTERISTICS

CONNECTORS	: TNC female per MIL-C 39012
WEIGHT	: < 20 g

ENVIRONMENTAL CHARACTERISTICS

OPERATING TEMPERATURE RANGE	(°C)	: -55 , +125
STORAGE TEMPERATURE RANGE	(°C)	: -55 , +125



CREATION					
N° : 94105013					RADIALL® 101. rue P. Hoffmann -Z.I Ouest- 93116 ROSNY/BOIS Cedex-FRANCE Phone:33(1)49353535 Fax :33(1)48546363 Tlx RADIA 236220F
PEN/EP:94218					
Name:PG					
Date:03. jan. 95	09. jul. 03	Frequency range 2.5 GHz --> 4 GHz	AF	FG	
APP.:VE	ISSUE	REVISIONS	NAME	APPR.	